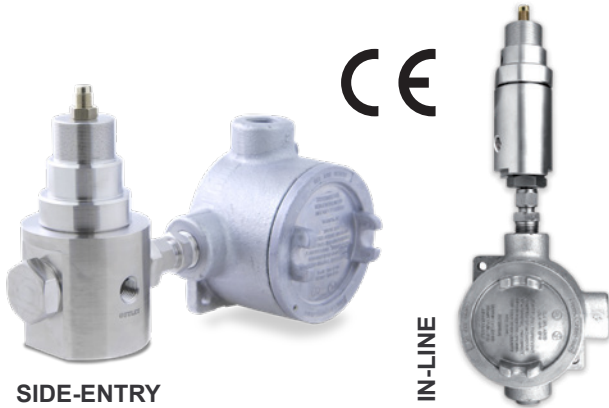


# XHS311 Datasheet

## SINGLE-HEATED PRESSURE REGULATOR



Gas  
  Liquid  
  Diaphragm  
  Piston  
  Self-Venting  
  Non-Venting  
 Max Inlet: 414 bar (6,000 psi)  
 Max Outlet: 150 bar (2,175 psi)  
 Cv 0.06



SIDE-ENTRY

IN-LINE

### INTRODUCING THE XHS311...

The XHS311 is a piston-sensed, economical single heated regulator, available in side-entry (SE) or in-line (IL) heat transfer options to maintain sample gases in their vapour state.

The side-entry design can be used where heat transfer is less critical, and where installations have height restrictions. The in-line design maximises the heat transfer area via a spiral machined heater sheath, which mixes the gas and ensures efficient heat transfer.

Its electrical enclosure meets the requirements of IP66 and NEMA 4 specifications.

### ATEX AND IECEX MARKINGS

The markings on the equipment includes:

Ex II 2 G  
 Ex db IIC T3 Gb  
 $-40^{\circ}\text{C} \leq \text{Ta} \leq 55^{\circ}\text{C}$   
 CE 2183

### FEATURES AND BENEFITS

#### 1 SIDE-ENTRY OR IN-LINE

Choice of heater cartridge position caters for various application requirements.

#### 2 100W HEATER CARTRIDGE

Efficient heater to maintain sample gases in their vapour state.

#### 3 ATEX AND IECEX CERTIFIED

Certified for use in category 2 zone 1 hazardous areas. Certificates viewable on [www.pressure-tech.com](http://www.pressure-tech.com).

#### 4 PISTON SENSING ELEMENT

Perfect for use in challenging conditions.

### STANDARD MATERIALS OF CONSTRUCTION

PART	MATERIALS
Body and Bonnet	ASTM A479 316/316L Stainless Steel (UNS S31600/S31603)
Main Valve Pin	ASTM A479 316/316L Stainless Steel (UNS S31600/S31603)
Soft Seat	PEEK™ (450G) PCTFE (Kel-F)
Valve Spring	Inconel® X750 (UNS N07750)
Piston	ASTM A479 316/316L Stainless Steel (UNS S31600/S31603)
O-Rings	FKM/FPM (Viton)
Electric Enclosure	Feraloy Iron Alloy

### SPECIFICATION

Max. Rated Inlet Pressure	414 bar (6,000 psi)
Outlet Ranges	Up to 150 bar (2,175 psi)
Design Proof Pressure	150% max. working pressure
Seat Leakage	In accordance with ANSI/FCI 70-3
Weight	4.8kg (10.6lbs)

Note: Pressure regulator rating may be limited by connection type, Cv and/or seat material. Contact the office for specific pressure or temperature requirements.

NOTE: Product availability and specifications contained herein are subject to change without notice. Consult local distributor or factory for potential revisions and/or service related issues. Pressure Tech Ltd support with product selection recommendations only - it is the users responsibility to ensure the product is suitable for their specific application requirements.



**PRESSURE TECH LTD**  
 Unit 24, Graphite Way, Hadfield, Glossop, Derbyshire, UK, SK13 1QH  
 T +44 (0)1457 899 307  
 E [sales@pressure-tech.com](mailto:sales@pressure-tech.com)  
 W [www.pressure-tech.com](http://www.pressure-tech.com)

DESIGNED, MANUFACTURED AND BUILT IN THE UK

180523

PAGE:  
1 OF 4

# XHS311 Datasheet

SINGLE-HEATED PRESSURE REGULATOR

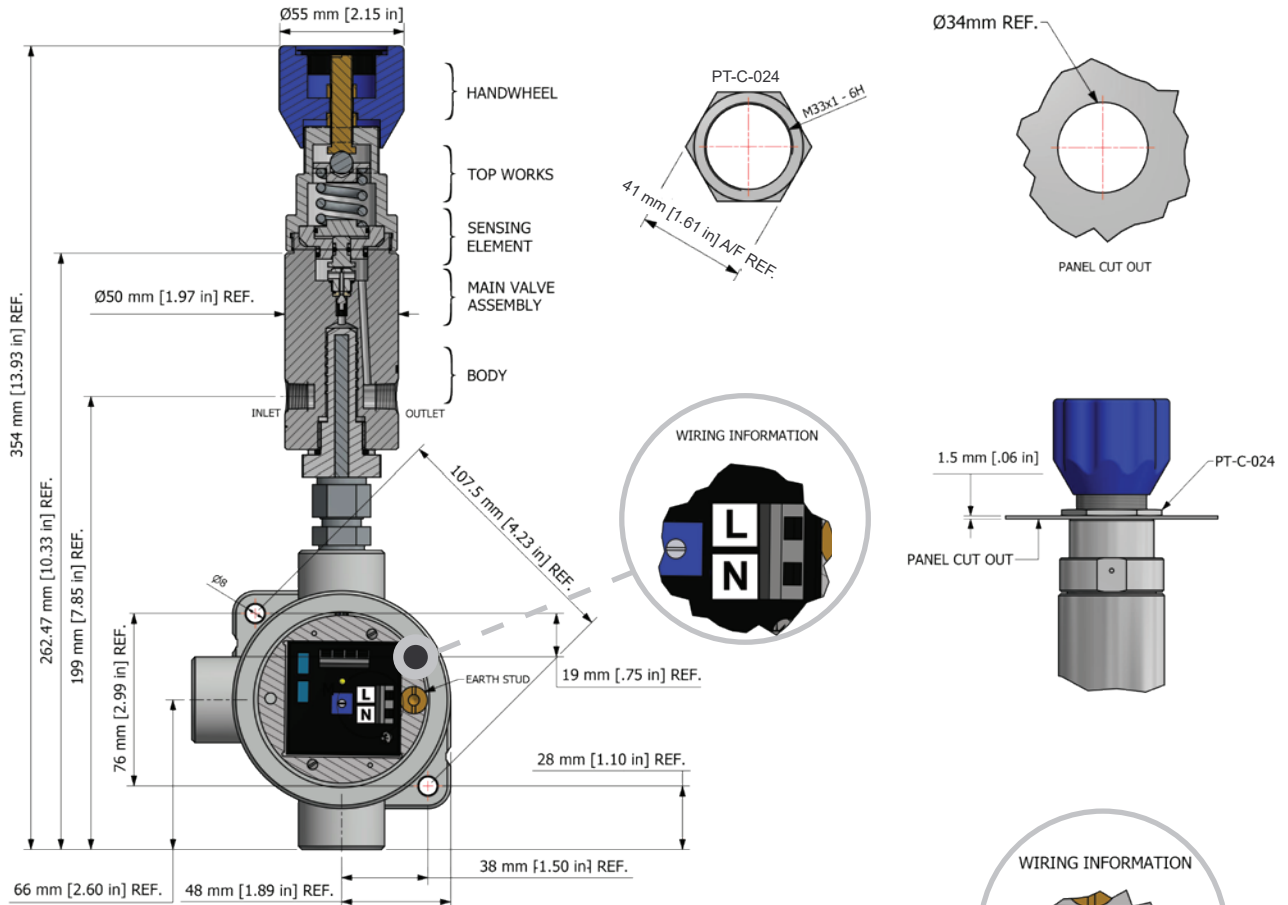


Gas    Liquid    Diaphragm    Piston    Self-Venting    Non-Venting   
 Max Inlet: 414 bar (6,000 psi)   Max Outlet: 150 bar (2,175 psi)   Cv 0.06

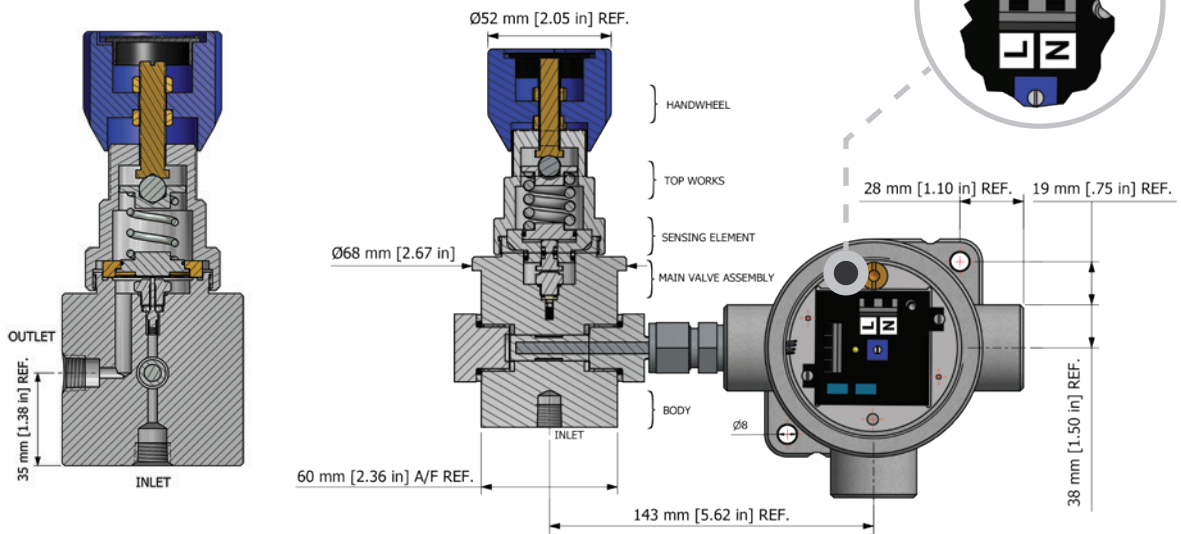
## DRAWINGS AND INSTALLATION DIMENSIONS

Dimensions shown for 1/4" NPT option and standard configurations only - please contact the office for other options.

IN-LINE



SIDE-ENTRY



**NOTE:** Product availability and specifications contained herein are subject to change without notice. Consult local distributor or factory for potential revisions and/or service related issues. Pressure Tech Ltd support with product selection recommendations only - it is the users responsibility to ensure the product is suitable for their specific application requirements.



**PRESSURE TECH LTD**  
 Unit 24, Graphite Way, Hadfield, Glossop, Derbyshire, UK, SK13 1QH  
 T +44 (0)1457 899 307  
 E [sales@pressure-tech.com](mailto:sales@pressure-tech.com)  
 W [www.pressure-tech.com](http://www.pressure-tech.com)

DESIGNED, MANUFACTURED AND BUILT IN THE UK

180523

PAGE:  
2 of 4

# XHS311 Datasheet

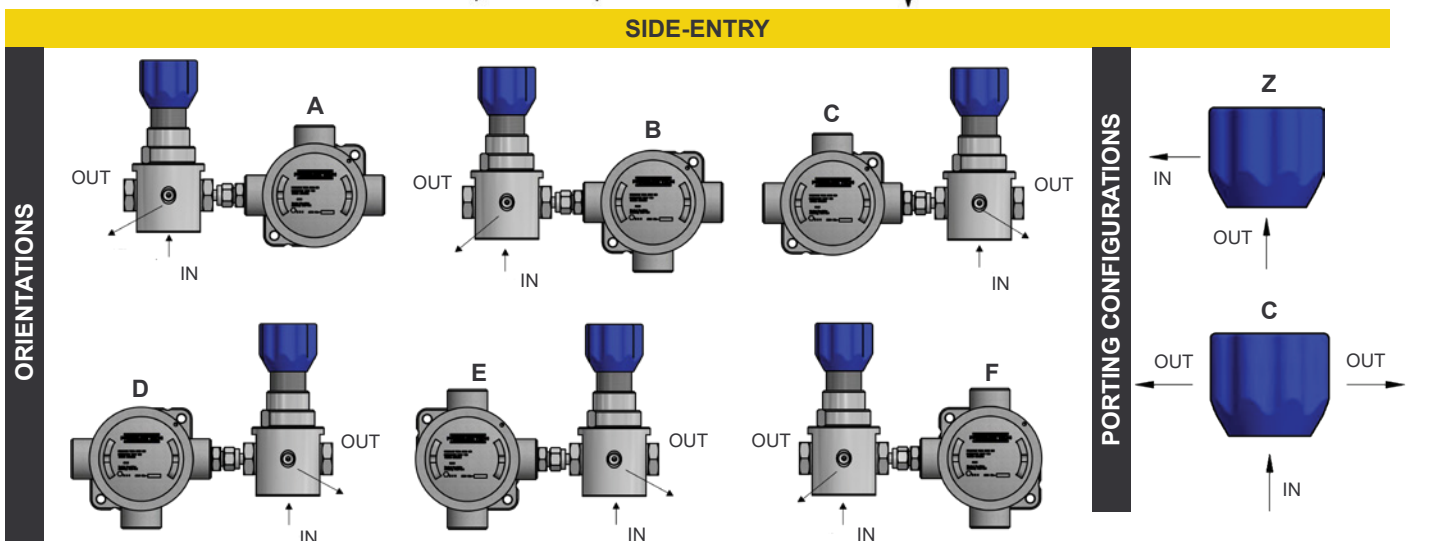
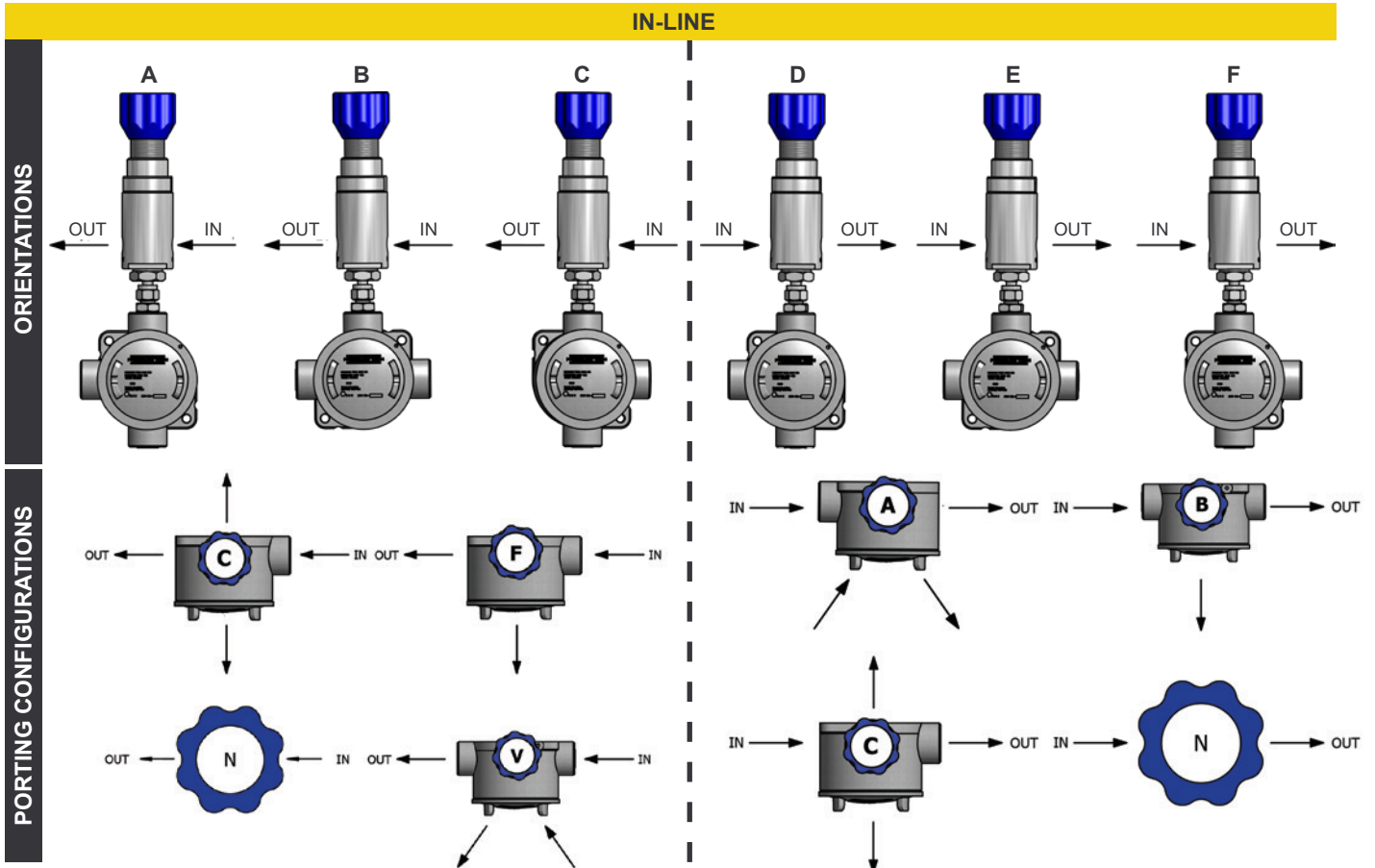
## SINGLE-HEATED PRESSURE REGULATOR



Gas    Liquid    Diaphragm    Piston    Self-Venting    Non-Venting   |   Max Inlet: 414 bar (6,000 psi)   |   Max Outlet: 150 bar (2,175 psi)   |   Cv 0.06

### ASSEMBLY ORIENTATIONS

To select a valid assembly, choose your required orientation and then combine with a compatible porting configuration. Please note - gauge ports must be in a forward-facing position.



**NOTE:** Product availability and specifications contained herein are subject to change without notice. Consult local distributor or factory for potential revisions and/or service related issues. Pressure Tech Ltd support with product selection recommendations only - it is the users responsibility to ensure the product is suitable for their specific application requirements.



**PRESSURE TECH LTD**  
 Unit 24, Graphite Way, Hadfield, Glossop, Derbyshire, UK, SK13 1QH  
 T +44 (0)1457 899 307  
 E [sales@pressure-tech.com](mailto:sales@pressure-tech.com)  
 W [www.pressure-tech.com](http://www.pressure-tech.com)

180523

PAGE: 3 OF 4

DESIGNED, MANUFACTURED AND BUILT IN THE UK

# XHS311 Datasheet

SINGLE-HEATED PRESSURE REGULATOR



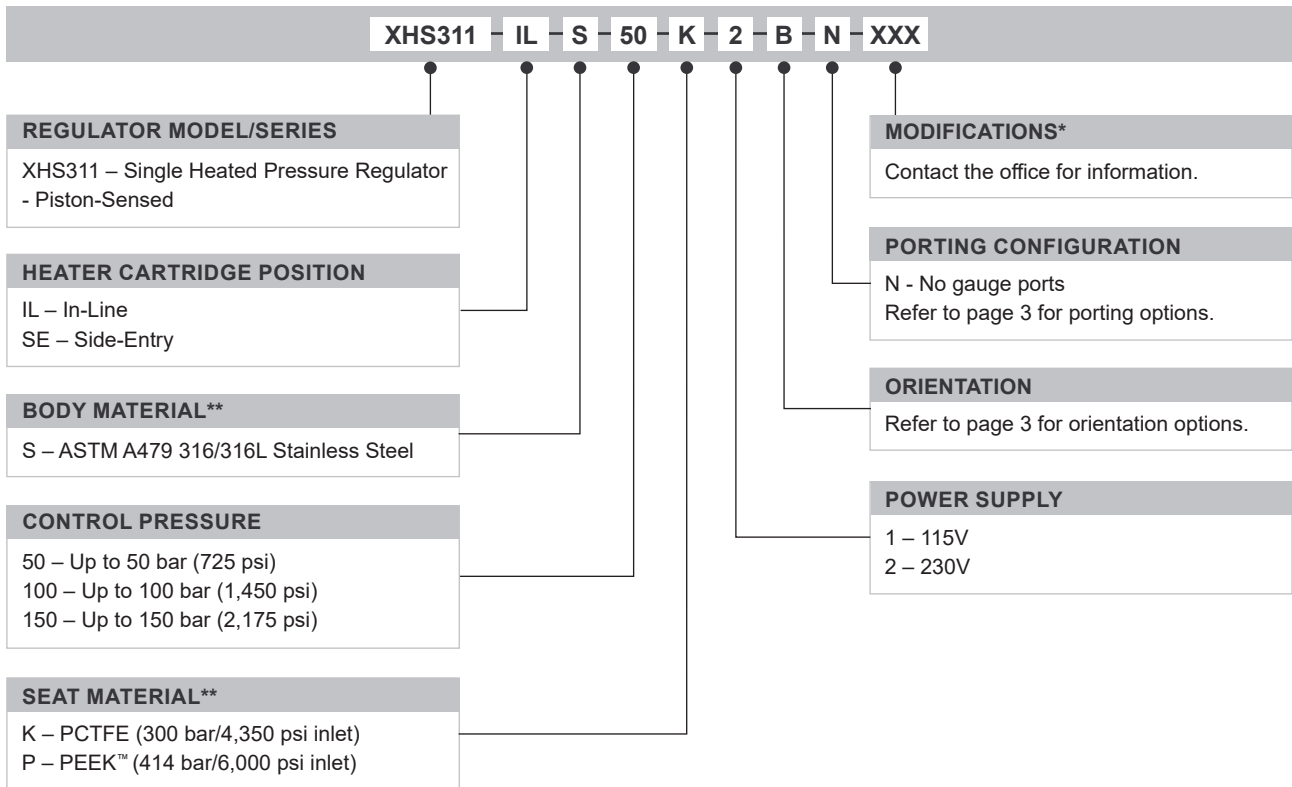
Gas  
  Liquid  
  Diaphragm  
  Piston  
  Self-Venting  
  Non-Venting  
 Max Inlet: 414 bar (6,000 psi)  
 Max Outlet: 150 bar (2,175 psi)  
 Cv 0.06

## FLOW CURVE

Please contact the office for further information.

## ORDERING INFORMATION

To build a Pressure Tech part number, simply combine the characters identified below in sequence:



OPTIONAL EXTRAS		
	PART NUMBER	DESCRIPTION
Service Kit	SRK-XHS311...	Various options available
Panel Mounting Ring	PT-C-024	-

*Note:* Ancillary Equipment also available

**TRADEMARKS:** PEEK™ is a trademark of Victrex PLC  
Inconel® is a registered trademark of Inco Alloys International

\* Where applicable  
\*\* Other materials may be available - please contact the office

**NOTE:** Product availability and specifications contained herein are subject to change without notice. Consult local distributor or factory for potential revisions and/or service related issues.  
Pressure Tech Ltd support with product selection recommendations only - it is the users responsibility to ensure the product is suitable for their specific application requirements.



**PRESSURE TECH LTD**  
 Unit 24, Graphite Way, Hadfield, Glossop, Derbyshire, UK, SK13 1QH  
 T +44 (0)1457 899 307  
 E [sales@pressure-tech.com](mailto:sales@pressure-tech.com)  
 W [www.pressure-tech.com](http://www.pressure-tech.com)

DESIGNED, MANUFACTURED AND BUILT IN THE UK

180523

PAGE:  
4 OF 4